

### Description

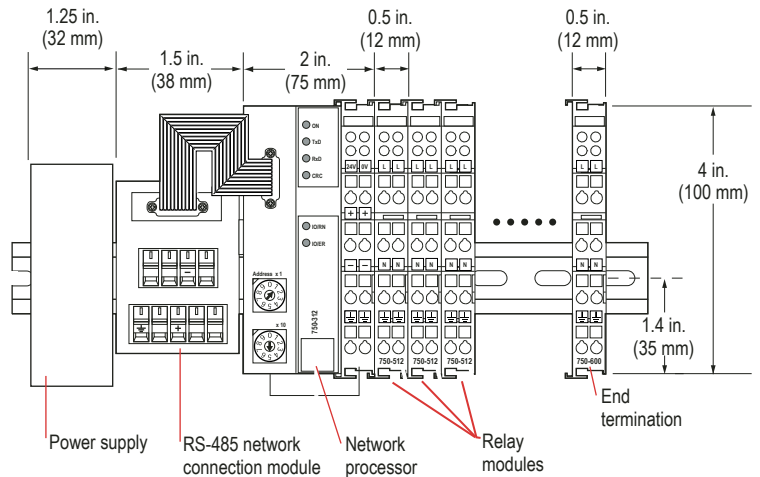
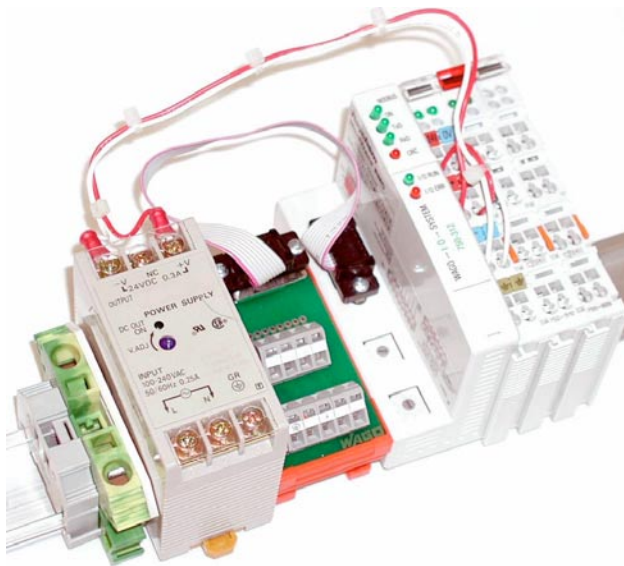
The TraceTek TT-NRM Network Relay Module provides the capability to add up to 128 individual alarm relays to a TraceTek TTDM / TTSIM leak detection network. The TT-NRM communicates with the TTDM via the existing RS-485 TTSIM network. The TT-NRM can be installed in a wide variety of configurations, allowing many leak detection system layout possibilities.

### Expandable

The TT-NRM is supplied as a base unit (with power supply, communications interface, DIN rail and end blocks) and separate relay modules. Each relay module contains 2 independently addressable relays. Up to 16 relay modules can be installed on each base unit, and up to 10 base units can be connected to a single TTDM-PLUS. The leak detection network can be expanded at any time with minimal effort.

### Versatile

The TT-NRM can be installed in large panels, or wall mounted in its own optional enclosure. TT-NRMs can be centrally located with the TTDM, or distributed throughout the leak detection network to minimize wiring costs. The TT-NRM can be used to operate valves, control audible or visual alarms, or interface with other control systems.

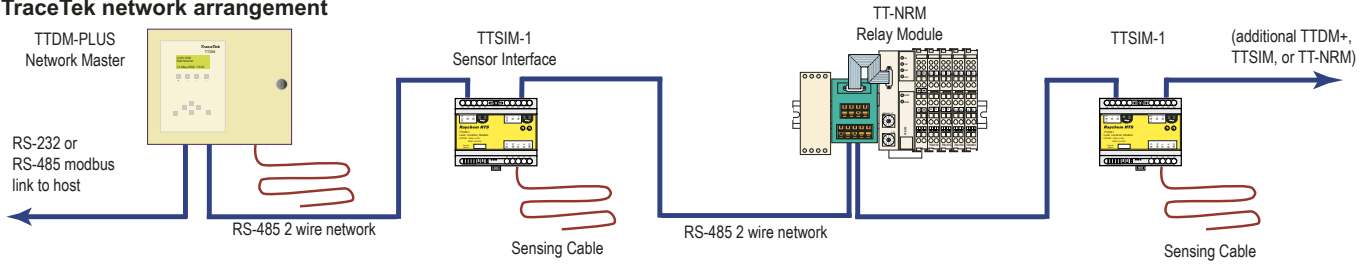


Width = 5.0 in. + 0.5 in. per relay module (+ 3.5 in. for optional power supply)  
 = 127 mm + 12 mm per relay module (+ 90 mm for optional power supply)

Technical Information	Network compatibility	TTDM-PLUS / TTSIM networks	
	Relays	Number	Up to 128 Form A contacts
		Voltage rating	250 Vac, 300 Vdc
		Current rating	1 Amp ac or at 30 Vdc
		Isolation	2.5 kV
Environmental Ratings	Storage Temperature	-25 °C to 85 °C	
	Operating Temperature	0 °C to 55 °C	
	Humidity	5% to 95% non-condensing	
	Ingress Protection	IP 2X	
Power requirements	Supply voltage	110~240 Volts, AC (50/60 Hz)	
	Power consumption	6 W	
Ordering information	Catalog number	Description	
	Base unit	TT-NRM-BASE	Base unit with 1 relay output module
Relay modules	TT-NRM-2RO	Relay output module with 2 relays	

# TT-NRM TraceTek Network Relay Module

## TraceTek network arrangement



## Approvals



## Electromagnetic compatibility

Compliant with standards for immunity	EN 50082-2 (industrial)
Compliant with standards for emissions	EN 50081-2 (industrial)

**Tyco Thermal Controls**  
 300 Constitution Drive  
 Menlo Park, CA 94025-1164  
 USA

Tel: (800) 545-6258  
 Fax: (650) 474-7517  
 E-mail: [info@tycothermal.com](mailto:info@tycothermal.com)  
[www.tracetek.com](http://www.tracetek.com)

Important: All information, including illustrations, is believed to be reliable. Users, however, should independently evaluate the suitability of each product for their application. Tyco Thermal Controls makes no warranty as to the accuracy or completeness of the information, and disclaims any liability regarding its use. Tyco Thermal Controls only obligations are those in the Tyco Thermal Controls Standard Terms and Conditions of Sale for this product, and in no case will Tyco Thermal Controls or its distributors be liable for any incidental, indirect, or consequential damages arising from the sale, resale, use or misuse of the product. Specifications are subject to change without notice. In addition, Tyco Thermal Controls reserves the right to make changes – without notification to Buyer – to processing or materials that do not affect compliance with any applicable specification.

TraceTek is a trademark of Tyco Thermal Controls.