



TTSIM-1

TraceTek® Sensor Interface Module

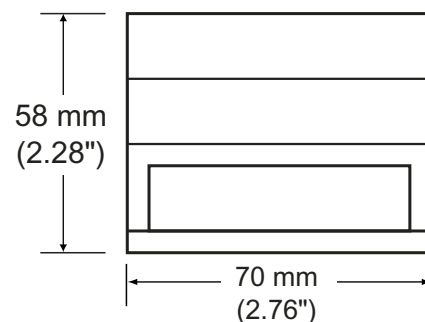
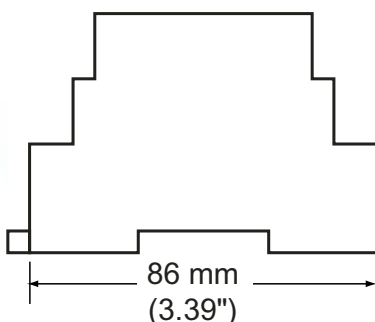
Easy setup and simple operation

The TTSIM-1 is a Sensor Interface Module capable of monitoring up to 1500 meters (5000 feet) of TraceTek sensing cable. When liquid is detected, the TTSIM-1 locates the leak and communicates the leak details to the host monitoring system. The TTSIM-1 can communicate to a variety of host monitoring systems including a TraceTek TTDM-128, a PLC, DCS or Building Management System using standard protocols. No field calibration is required.

The TTSIM-1 is well suited to applications where large areas are being monitored, or long sensor circuit lengths are required. Since it incorporates multiple sensor monitoring algorithms, the TTSIM-1 is capable of performing several specialized leak detection measurements. These algorithms make TTSIM-1 especially well suited to monitoring long circuits of TraceTek hydrocarbon sensing cables that are installed in demanding applications.

Design Features

- LEDs to indicate power, status and communication.
- Responsive to a variety of communication protocols. Protocol selection is automatic.
- Simple twisted pair serial RS-485 communications up to 1200 meters (4000 feet) without amplification.
- Operates on 24 Vac 50/60 Hz power supply.
- Each TTSIM-1 unit has a unique address assigned with software – no switches.
- Special leak detection algorithms provide enhanced capability for difficult applications.
- DIN rail mounted for easy installation.
- Enclosures available for stand-alone indoor or harsh outdoor installations.



General features

Sensor compatibility	All TraceTek sensor cables and point sensors or contact closure devices
Maximum length of sensing cable	1500 m (5000 ft)
Precision	0.1% of sensor length

Environmental ratings

Storage temperature	-18°C to 60°C (0°F to 140°F)
Operating temperature	0°C to 50°C (32°F to 122°F)
Humidity	5% to 95% non-condensing

Power requirements

TTSIM-1	22 to 26 Vac, 50/60 Hz, 3 W (SELV level for Europe)
Wire sizes	#22 AWG to #14 AWG (0.5 to 2.5 mm ²)

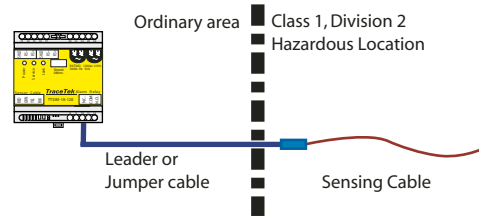
Ordering information

Catalog Number	Description
TTSIM-1	24 Vac TTSIM-1

TTSIM-1 Sensor Interface Module

Serial interface	Network configuration	RS-485 two wire network, 9600 baud, addressable from 1 to 127
	Communication protocol	MODBUS™, OptoMux™ or Johnson Controls Metasys™

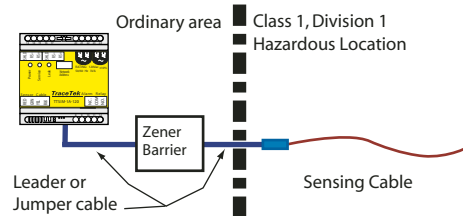
Approvals The TTSIM-1 unit is approved for use in ordinary areas. The module must be located in an ordinary area, but may monitor intrinsically safe TraceTek sensors located in hazardous locations, as shown below.



TraceTek sensors in Class I, Division 2, Groups A, B, C, D Hazardous Locations (Zone 2 in Europe).



Listed
76LJ
Signal System Unit
TYPE NM



If protected by an agency approved zener barrier, TraceTek sensors in Class I, Division 1, Groups A, B, C, D Hazardous Locations (Zones 0 and 1 in Europe). Contact Tyco Thermal Controls to select proper zener barrier.

Tyco Thermal Controls
Worldwide Headquarters
300 Constitution Drive
Menlo Park, CA 94025-1164
USA

Tel: (800) 545-6258 (within US)
(650) 216-1526
Fax: (800) 527-5703 (within US)
(650) 474-7517
E-mail: info@tracetek.com
www.tracetek.com

Important: All information, including illustrations, is believed to be reliable. Users, however, should independently evaluate the suitability of each product for their particular application. Tyco Thermal Controls makes no warranties as to the accuracy or completeness of the information, and disclaims any liability regarding its use. Tyco Thermal Controls' only obligations are those in the Tyco Thermal Controls Standard Terms and Conditions of Sale for this product, and in no case will Tyco Thermal Controls or its distributors be liable for any incidental, indirect, or consequential damages arising from the sale, resale, use or misuse of the product. Specifications are subject to change without notice. In addition, Tyco Thermal Controls reserves the right to make changes – without notification to Buyer – to processing or materials that do not affect compliance with any applicable specification.

Tyco, TraceTek and the TraceTek logo are trademarks of Tyco Thermal Controls LLC or its affiliates. MODBUS is a trademark of Gould, Inc. OptoMux is a trademark of Opto-22. Metasys is a trademark of Johnson Controls. Windows is a trademark of Microsoft Corporation.