



TTC-1

TraceTek® Sensing Module with Relay Contacts

The TraceTek® TTC-1 module offers a low cost option for liquid leak detection. It is designed for use with any TraceTek sensing cable, and can be integrated into a variety of monitoring systems. The TTC-1 module includes three sets of relay contacts which can be used for remote annunciation and equipment control. An optional remote annunciation device is available.

Easy setup

All field wiring connections are easily made to a terminal strip molded into the base of the module. The module can be configured to reset automatically when a leak clears, or to require a manual reset using the button provided. The TTC-1 module includes adjustments for

sensitivity to leaks, and for the time delay before the leak alarm relay trips. These adjustments can be made in the field.

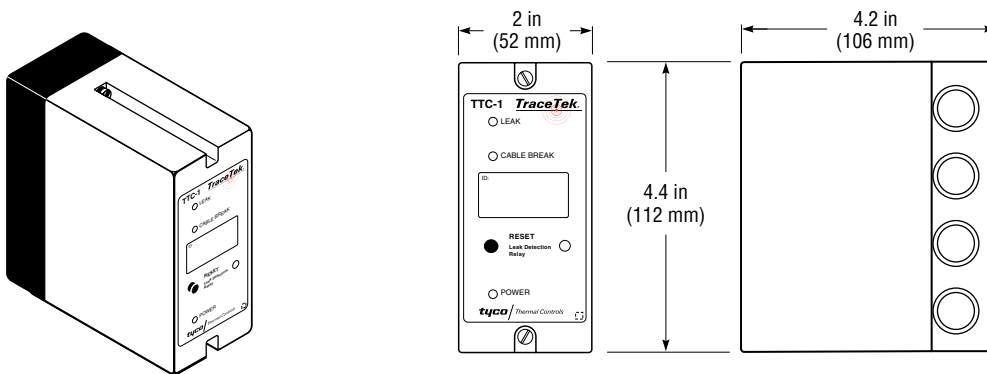
Versatile design

The TTC-1 module provides separate relays for leak alarms and trouble alarms. The Leak relay has two sets of contacts so it can be used both to annunciate the alarm and to provide direct control linkage to local devices. However, the system is not designed for constant switching applications. The Cable Break alarm monitors the integrity of the sensing cable and jumper cable, and will trip if continuity is lost. This trouble relay is normally energized, so it will also signal if there is a loss of power.

The TTC-1 module may be installed in nonhazardous indoor locations. Its small size allows for mounting in or on walls, or on DIN 1 rail systems.

Applications

The TTC-1 is ideally suited to be easily integrated into centralized monitoring systems for large facilities. Typical applications include monitoring for leaks from individual pieces of equipment such as air-handling units, water-cooled machinery, single tanks, pumps, sumps, or other locations where a single length of TraceTek sensing cable is used.



Technical information

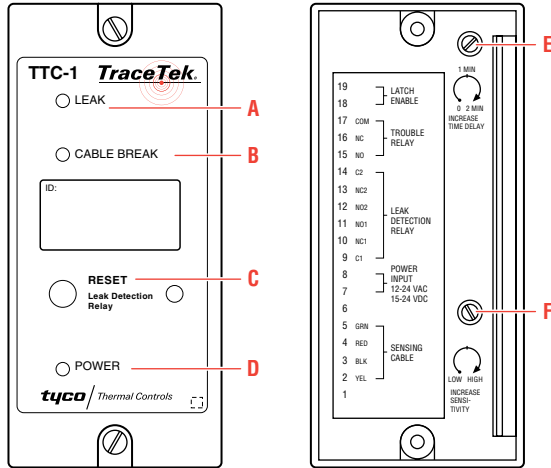
Sensing cable compatibility	All TraceTek sensing cables and probes	
Maximum length of sensing cable (per channel)	250 ft (76 m)	
Temperature rating	32°F to 122°F (0°C to 50°C)	
Plastic enclosure	NEMA 1, IP 20	
Weight	0.77 lb (0.35 kg)	
Power supply requirement (transformer not included)	12 Vac to 24 Vac; 50/60 Hz	0.25 A
	15 Vdc to 24 Vdc	0.15 A
Terminal block wiring	14 AWG (maximum 2.5 mm ²)	
TraceTek jumper cable wiring	18 AWG (1 mm ²)	
Relays	Leak:	1 DPDT, Form C 3 A rating at 30 Vdc or 250 Vac
	Trouble:	1 SPDT, Form C 3 A rating at 30 Vdc or 120 Vac Normally energized

Ordering information

Catalog Number	Part Number	Description
TTC-1	698897-000	TTC-1 alarm module with relay contacts
Accessories:	TTE-XAL	418569-000 External audible alarm
	TTC-DRC	062825-000 DIN 1 rail mounting clip

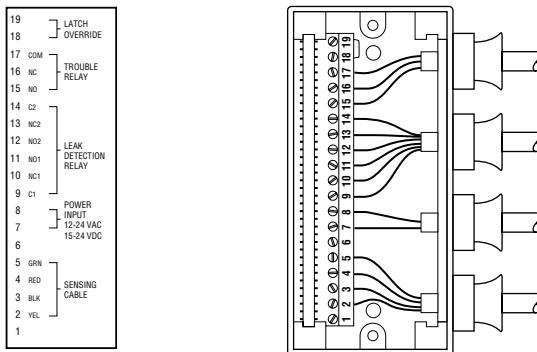
TTC-1 Sensing Module with Relay Contacts

Module functions



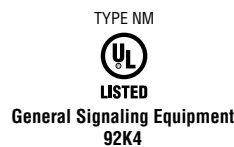
- A LEAK indicator (red LED)**
Indicates system has detected a leak.
- B CABLE BREAK indicator (yellow LED)**
Indicates system has detected a break in the sensing circuit.
- C RESET switch and indicator (red LED)**
Indicates leak relay has been activated. Push to reset manually.
- D POWER monitor (green LED)**
Indicates the system is on.
- E** Adjusts time delay (0–2 minutes).
- F** Adjusts sensitivity.

Terminal block wiring



- 18–19 Latch enable (jumper enables leak alarm relay to latch)*
 - 15–17 Trouble relay (SPDT)
 - 9–14 Leak alarm relay (DPDT)
 - 7–8 Power input, 12–24 volts AC or 15–24 volts DC
 - 6 Open; do not use
 - 2–5 Sensing cable (2-yellow, 3-black, 4-red, 5-green)
 - 1 Open; do not use
- *Note:** If jumper is removed, leak relay automatically resets when cable dries

Approvals



The TTC-1 module is UL Listed for use in nonhazardous locations.

Tyco and TraceTek are trademarks of Tyco Thermal Controls LLC or its affiliates.

Worldwide Headquarters
Tyco Thermal Controls
 307 Constitution Drive
 Menlo Park, CA 94025-1164
 USA
 Tel (800) 545-6258
 Tel (650) 216-1526
 Fax (800) 527-5703
 Fax (650) 474-7215
 info@tracetek.com
 www.tracetek.com

Important: All information, including illustrations, is believed to be reliable. Users, however, should independently evaluate the suitability of each product for their particular application. Tyco Thermal Controls makes no warranties as to the accuracy or completeness of the information, and disclaims any liability regarding its use. Tyco Thermal Controls' only obligations are those in the Tyco Thermal Controls Standard Terms and Conditions of Sale for this product, and in no case will Tyco Thermal Controls or its distributors be liable for any incidental, indirect, or consequential damages arising from the sale, resale, use, or misuse of the product. Specifications are subject to change without notice. In addition, Tyco Thermal Controls reserves the right to make changes—without notification to Buyer—to processing or materials that do not affect compliance with any applicable specification.