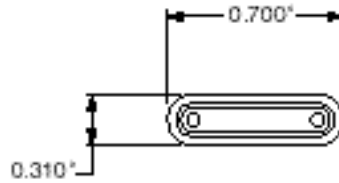

EM2-XR Heating Cable	2
EMK-XP and EMK-XS Components	3
EMK-XEJ Expansion Joint Kit	4
EMK-XJB Junction Box	5
TraceGuard 277 Ground-Fault Protection Device	6
E104 Contactor	7
AMC-1A Ambient Sensing Thermostat	8
Accessories	9
EMK-MEG Insulation Resistance Tester	10
EMK-XJR Jacket Repair Kit	11



Description

The ElectroMelt EM2-XR heating cable is a high-powered, self-regulating heating cable for concrete snow-melting and anti-icing applications. The uniquely blended polymer core of the heating cable adjusts its power output at every point along its length to eliminate hot spots and burnouts that can be experienced with constant-wattage heating cables. A heavy-duty, modified polyolefin outer jacket resists abrasion, puncture, and damage caused by rough handling.

Specifications

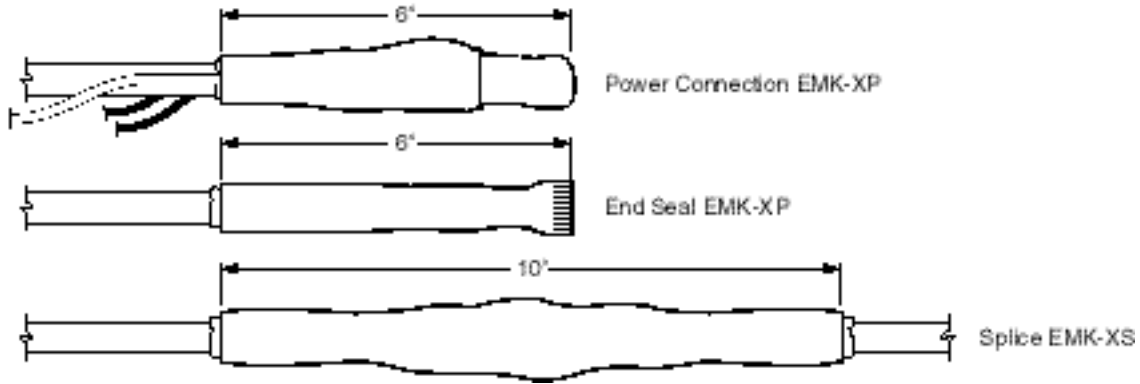
Operating voltage	208 to 277 Vac
Overcurrent protection	50 amps, maximum
Maximum circuit length	300 feet at 277 Vac
Minimum bend radius	2 inches
Minimum installation temperature	30°F
Maximum self-generated temperature	275°F

Circuit Breaker Sizing

Circuit Breaker	Maximum Heating Cable Circuit Length (in Feet) for Startup at 0°F			
	Heating Cable Operating Voltage			
	208 V	220 V	240 V	277 V
50 amp	245	250	265	300
40 amp	200	200	210	240
30 amp	145	150	160	180
20 amp	100	100	110	120
15 amp	75	75	80	90

Ordering Information

Catalog number	EM2-XR
Part number	449561
Description	Self-regulating heating cable
Packaging	Random-length reels
Shipping weight	0.18 pound per foot



Description

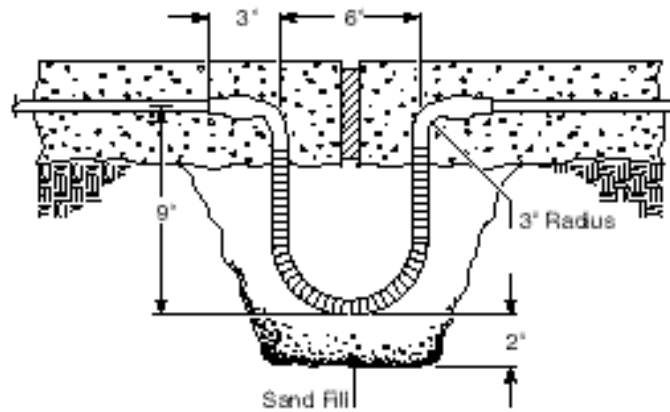
The ElectroMelt termination and splicing components are used to terminate the end of the heating cable to power conductors or to splice one length of heating cable to another. These water-resistant electrical assemblies are sealed with a proprietary Raychem adhesive and protected by an outer heat-shrinkable tube manufactured by Raychem of crosslinked, modified polyolefin polymers.

Specifications

Temperature rating	90°F
Storage temperature	-40°F to 140°F
Minimum installation temperature	30°F
Power connection wire range	14 to 4 AWG
Voltage rating	600 Vac

Ordering Instructions

Power connection and end seal	
Catalog number	EMK-XP
Part number	579519
Description	Power connection and end seal kit
Packaging	One power connection and one end seal per box
Shipping weight	0.4 pound
Splice kit	
Catalog number	EMK-XS
Part number	356667
Description	Splice kit
Packaging	One splice kit per box
Shipping weight	0.2 pound



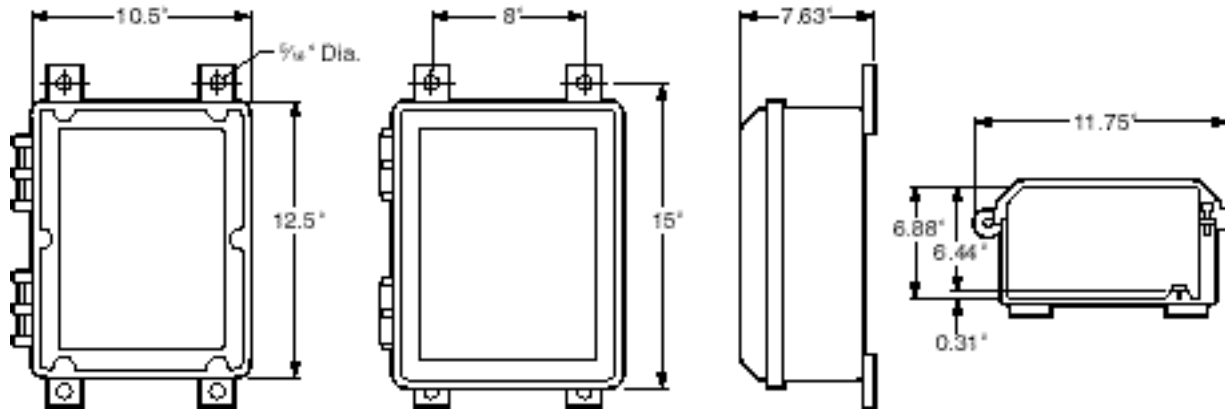
Description The ElectroMelt EMK-XEJ expansion joint kit provides physical protection for the heating cable beneath slab joints. An expansion tube is used to form an expansion loop for the heating cable.

Specifications

Temperature rating	195°F
Storage temperature	-40°F to 140°F
Min. installation temperature	30°F

Ordering Information

Catalog number	EMX-XEJ
Part number	472207
Description	Expansion joint kit
Packaging	One expansion joint per kit
Shipping weight	0.3 pound



Description

The EMK-XJB is a large, UL Listed weatherproof enclosure suitable for terminating both ends of one EM2-XR circuit. The enclosure is made of molded structural foam and provides high impact strength, excellent chemical resistance, high dielectric strength, and excellent weathering capabilities. It is suitable for outdoor applications.

Specifications

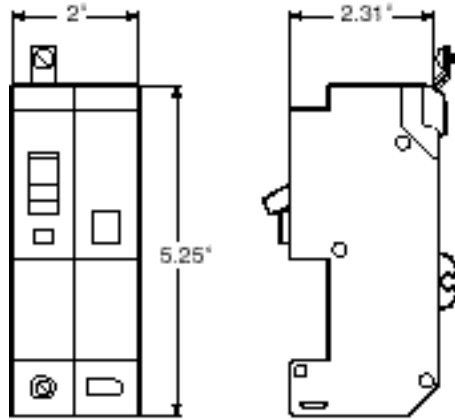
Manufacturer	Carlson, model CJ12106
Inside dimensions	12" x 10" x 6 7/8"
Inside volume	825 cubic inches
Outside dimensions	15 1/2" x 11 3/4" x 7 5/8"
Temperature range	-40°F to 185°F
UL Standard	UL508

Ordering Information

Catalog number	EMK-XJB
Part number	052577
Description	Junction box
Packaging	One junction box per kit
Shipping weight	5.4 pounds

TraceGuard 277

**Ground-Fault Protection Device (GFPD)
For Use with EM2-XR
Self-Regulating Heating Cable**



Description

The TraceGuard 277 GFPD (Square D EHB-EPD) is a single-pole, thermal-magnetic circuit breaker with equipment ground-fault protection. The GFPD is rated for use with 480/277-Vac heat-tracing systems with a maximum load of 40 A. It is used to provide overcurrent and equipment ground-fault protection, but not to protect people from the hazard of electrical shock. The ground-fault trip level of the 277-volt GFPD is 30 mA. The GFPD is available in bolt-on construction for installation in Square D's EHB panelboards. It comes in two versions, a base unit and a unit with bell alarm contacts.

Specifications

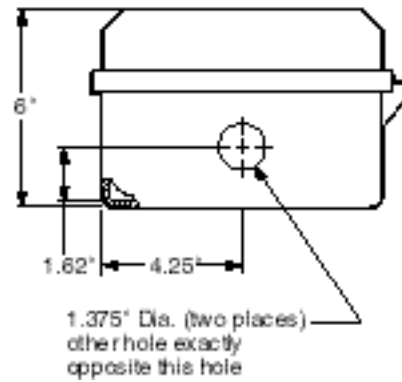
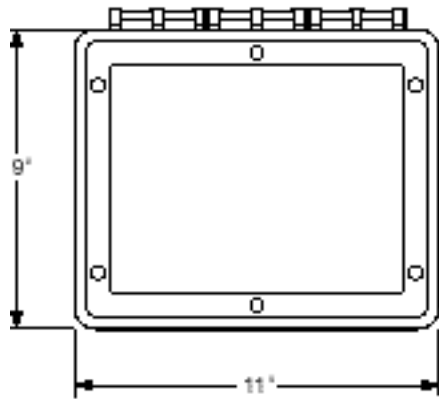
Manufacturer	Square D
Breaker frame	E4
Amp rating	15 A to 50 A (refer to tables below)
UL interrupting rating:	120 Vac - 25 kA
	277 Vac - 2 kA
	125 Vdc - 5 kA

Ordering Information

Description	Ground-fault protection device
Packaging	One circuit breaker and relay per kit
Shipping weight	15 pounds each

Catalog / Part No.:	Amperes	Base Unit Catalog No.	Part No.
	15 A	GFPD EHB14015EPD	984563
	20 A	GFPD EHB14020EPD	833637
	30 A	GFPD EHB14030EPD	605703
	40 A	GFPD EHB14040EPD	021803
	50 A	GFPD EHB14050EPD	866711

Catalog / Part No.:	Amperes	Bell Alarm Unit Catalog No.	Part No.
	15 A	GFPD EHB14015EPD2100	583639
	20 A	GFPD EHB14020EPD2100	580313
	30 A	GFPD EHB14030EPD2100	311709
	40 A	GFPD EHB14040EPD2100	890153
	50 A	GFPD EHB14050EPD2100	522891



Description

The E104 is a three-pole contactor housed in a thermoplastic enclosure that is light-weight, dusttight, watertight, and corrosion resistant.

Specifications

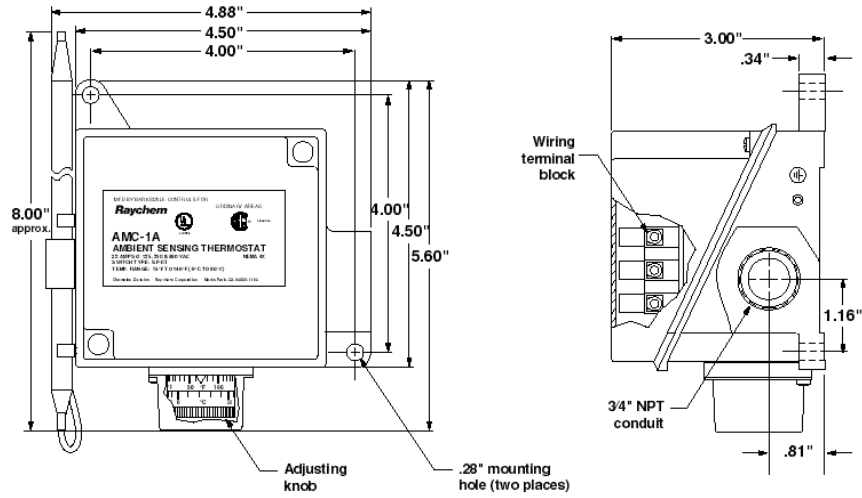
Enclosure	Carlton CJ1085, NEMA 4X, corrosion resistant, dusttight, watertight
Contactor	ITE 2250-HI930 ABA UL Listed and CSA Certified
Power connection	1/0-14 AWG box lugs
Power contacts	Silver, cadmium plated
Rating	100 amps per pole @ 600 Vac
Coil connection	32 #6 screw terminals
Coil rating	120 Vac

Ordering Information

Catalog number	E104, 120 Vac
Part number	C77046
Description	Contactor
Packaging	One contactor per kit
Shipping weight	5 pounds

AMC-1A

Ambient Sensing Thermostat For Use with EM2-XR Self-Regulating Heating Cable



Description

The AMC-1A thermostat responds to air temperature changes detected by a stainless steel sensing probe. The AMC-1A can be used to control a contactor coil.

Specifications

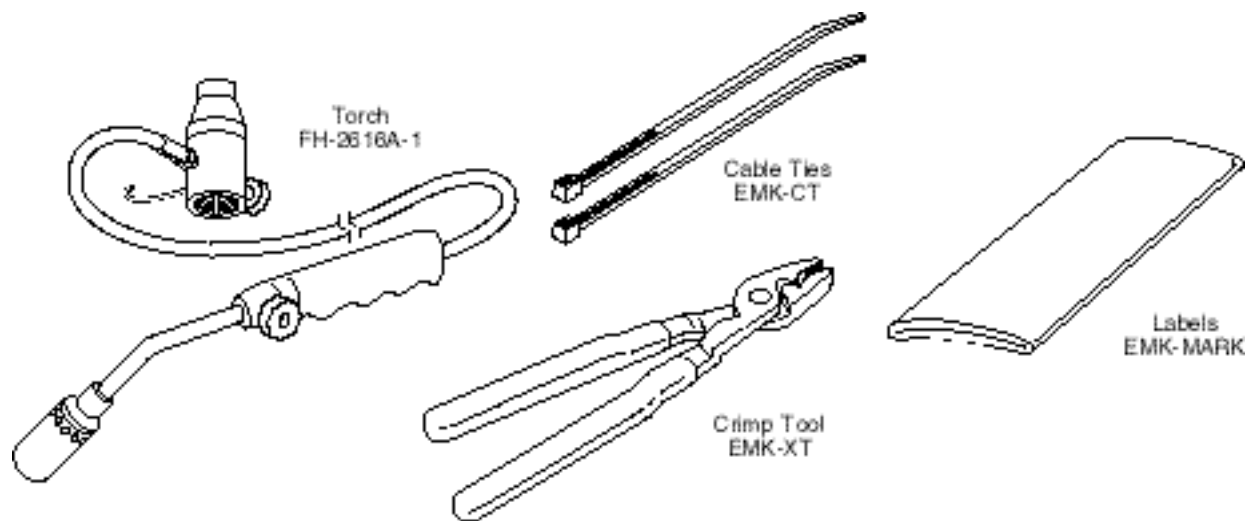
Approvals	UL Listed, CSA Certified for Ordinary areas
Enclosure	NEMA 4X Polyurethane-coated cast aluminum housing Stainless steel hardware
Range	15°F to 140°F (-9°C to 60°C)
Setpoint repeatability	± 3°F (±1.7°C)
Deadband	3°F to 9°F (1.7°C to 5°C) above actuation temperature
Sensor exposure limits	-40°F to 420°F (-40°C to 215°C)
Housing exposure limits	-40°F to 160°F (-40°C to 71°C)
Electrical rating	22 amps @ 125/250/480 Vac
Switch	SPDT
Sensor type	Fluid-filled (silicone) bulb & capillary
Sensor material	300 series stainless steel
Connection	Screw terminals accept #10 — #14 AWG wire through 3/4" NPT conduit hub

Ordering Information

Catalog number	AMC-1A
Part number	573977-D00
Description	Ambient sensing thermostat
Packaging	One thermostat per kit
Shipping weight	1.5 pounds

FH-2616A-1, EMK-CT, EMK-XT, EMK-MARK

Accessories
For Use with EM2-XR
Self-Regulating Heating Cable



Description

The ElectroMelt product line has the accessories necessary for a complete installation of EM2-XR cable. The propane torch (FH-2616A-1) is suitable for heat-shrinking the connection kits. The crimping tool (EMK-XT) is the correct size for the crimps in the connection kits. The cable ties (EMK-CT) are 7-inch nylon industrial cable ties. The cable markers (EMK-MARK) are Raychem TMS labels, which can be preprinted with the circuit numbers.

Specifications

Torch (FH-2616A-1)

Description	Includes hose, handle assembly; equipped with regulating valve
--------------------	--

Crimp Tool (EMK-XT)

Manufacturer	Ideal
Model number	30-425
Length	10"

Cable Ties (EMK-CT)

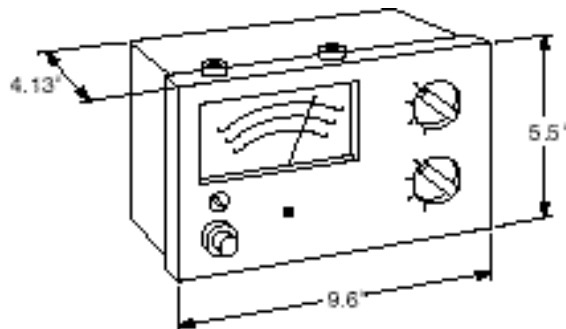
Manufacturer	Panduit
Model number	PLT25-C
Length	7 3/8" ± 1/2"
Width	3/16"

Labels (EMK-MARK)

Description	ShrinkMark-250-2.00-9 cable markers
--------------------	-------------------------------------

Ordering Information

	Torch	Crimp Tool	Cable Ties	Labels
Catalog Number	FH-2616A-1	EMK-XT	EMK-CT	EMK-MARK
Part Number	102049	980631	906441	228347
Description	Propane torch	Crimp tool	Nylon cable ties	ShrinkMark labels
Packaging	One per kit	One per kit	100 per pack	Contact factory
Shipping Weight	5 pounds	1.2 pounds	0.5 pound	1.2 pounds per 100 markers



Description

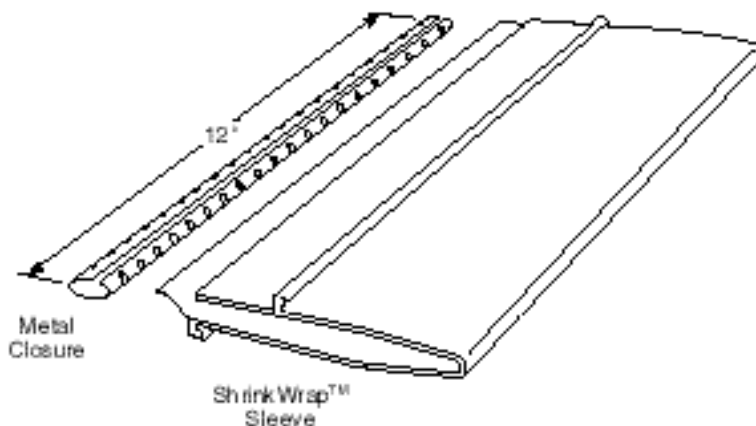
The EMK-MEG is a precision instrument that tests the insulation resistance of heating cables. Battery operated and portable for field use, it features a push-to-read and lock-on button to conserve the battery. The Megger can test insulation resistance at voltages up to 5000 Vdc and has neon scale-selection indicators. The kit includes batteries, two test leads, probes, an operation manual and leather carrying case.

Specifications

Manufacturer	Simpson
Model	405-2
Accuracy	Megohm ranges $\pm 1.5\%$ AC/DC voltage ranges $\pm 5\%$; full scale to 1000 V
Supply	Six 1.5-V batteries
Dimensions	9 $\frac{3}{8}$ " x 5 $\frac{1}{2}$ " x 4 $\frac{1}{8}$ "

Ordering Information

Catalog number	EMK-MEG
Part number	130519
Description	5000-Vdc insulation tester/Megger
Packaging	One instrument and case per kit
Shipping weight	5.0 pounds



Description

The ElectroMelt jacket repair kit is a wraparound sleeve for covering a damaged outer jacket. The repair sleeve is adhesive-lined and comes with a metal closure channel.

Specifications

Description	Heat-shrinkable sleeve with adhesive lining; removable metal closure
Approvals	UL Listed for applications of 600 volts or less
Length	12 inches nominal

Ordering Information

Catalog number	EMK-XJR
Part number	693647
Description	Jacket repair kit
Packaging	One repair sleeve per kit
Shipping weight	0.8 pound

ElectroMelt and TraceGuard 277 are trademarks of Tyco Thermal Controls LLC or its affiliates.

Worldwide Headquarters
Tyco Thermal Controls
 300 Constitution Drive
 Menlo Park, CA 94025-1164
 USA
 Tel (800) 545-6258
 Fax (800) 527-5703
 info@tycothermal.com
 www.tycothermal.com

Important: All information, including illustrations, is believed to be reliable. Users, however, should independently evaluate the suitability of each product for their application. Tyco Thermal Controls makes no warranties as to the accuracy or completeness of the information, and disclaims any liability regarding its use. Tyco Thermal Controls' only obligations are those in the Tyco Thermal Controls Standard Terms and Conditions of Sale for this product, and in no case will Tyco Thermal Controls or its distributors be liable for any incidental, indirect, or consequential damages arising from the sale, resale, use, or misuse of the product. Specifications are subject to change without notice. In addition, Tyco Thermal Controls reserves the right to make changes—without notification to Buyer—to processing or materials that do not affect compliance with any applicable specification.