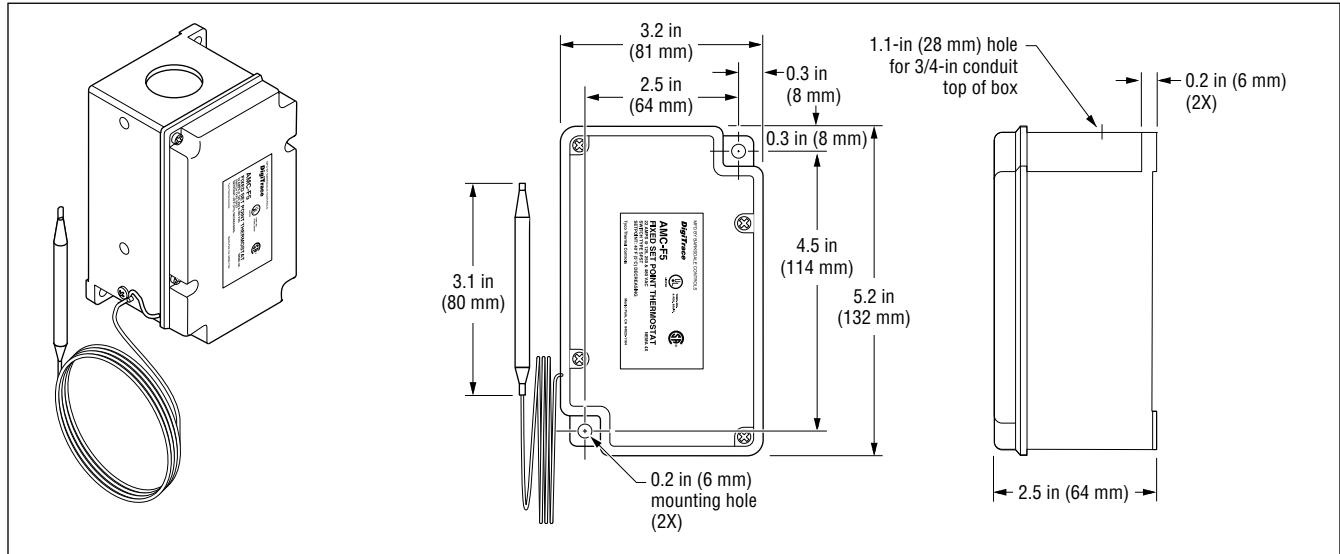


Fixed set point freeze protection thermostat for nonhazardous locations

The AMC-F5 thermostat is designed to control heat-tracing systems used for freeze protection in nonhazardous locations. The thermostat has a fixed setpoint of 40°F (4.4°C)

and can be used in ambient-sensing mode (with sensor in air) or line-sensing mode (with sensor placed on pipe or tank wall). It can be used to control a single heat-tracing

circuit or as a pilot control of a contactor switching multiple heat-tracing circuits.



Specifications

Enclosure	NEMA 4X, UV-resistant thermoplastics
Entries	One 3/4-in through hole
Set point	40°F (4.4°C) nonadjustable
Sensor exposure limits	-30°F to 140°F (-34°C to 60°C)
Housing exposure limits	-30°F to 140°F (-34°C to 60°C)
Switch	SPST
Electrical rating	22 A at 125/250/480 Vac
Accuracy	±3°F (±1.7°C)
Deadband	2°F to 12°F (1.1°C to 6.7°C) above actuation temperature
Set point repeatability	±3°F (±1.7°C)
Sensor type	Fluid-filled (silicone) bulb and 2.5 ft (0.8 m) capillary
Sensor material	Tin-plated copper
Connection	Two 14 AWG (2 mm ²) pigtails One ground screw

Approvals

