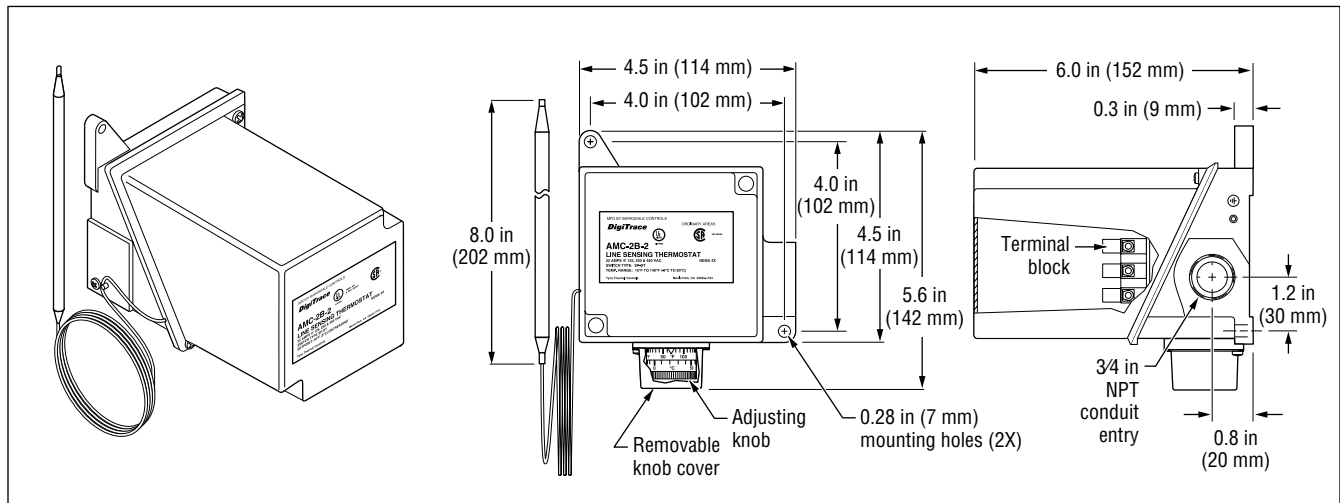


Double-pole line-sensing thermostat for nonhazardous locations

The AMC-2B-2 line-sensing thermostat is designed to control heat-tracing systems in nonhazardous locations. The thermostat functions as a double-pole single-throw

(DPST) switch, opening and closing the electrical connection to both heating-cable bus wires.

The AMC-2B-2 senses pipe or tank wall temperatures and is used to control one heat-tracing circuit directly.



Specifications

Enclosure	NEMA 4X, polyurethane-coated cast-aluminum housing, stainless-steel hardware
Entries	One 3/4-in NPT conduit hub
Setpoint range	25°F to 325°F (-4°C to 163°C)
Sensor exposure limits	-40°F to 420°F (-40°C to 215°C)
Housing exposure limits	-40°F to 160°F (-40°C to 71°C)
Switch	DPST
Electrical rating	22 A at 208–240 Vac
Relay coil	208–240 Vac, 4 VA
Accuracy	±6°F (±3.3°C)
Deadband	2°F to 12°F (1.1°C to 6.7°C) above actuation temperature
Setpoint repeatability	±3°F (±1.7°C)
Sensor type	Fluid-filled (silicone) bulb and 9 ft (2.7 m) capillary
Sensor material	300 series stainless steel
Connection terminals	Screw terminals, 10–14 AWG (2–5 mm ²)

Approvals

